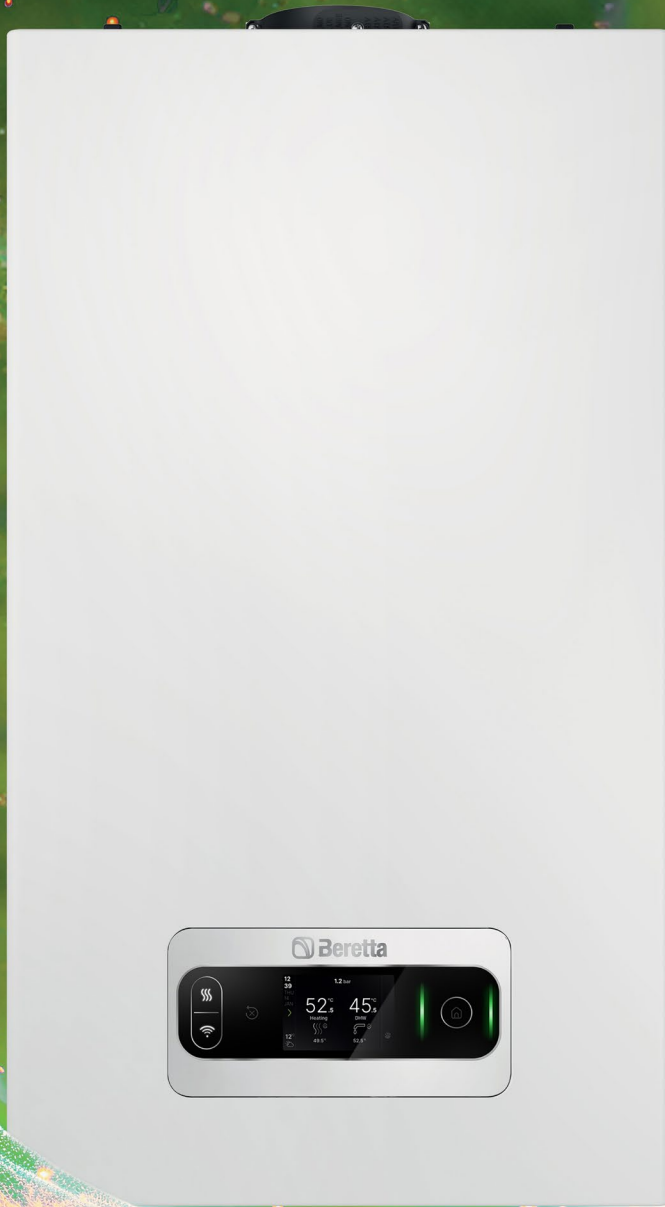


WALL-HUNG CONDENSING BOILERS
with stainless steel heat exchanger



EXCLUSIVE EVO X



THE RANGE

EXCLUSIVE EVO X range consists of 5 models (3 combi boilers and 2 heating only), to satisfy the various comfort needs:

- **EXCLUSIVE EVO X 25C** (combi model)
- **EXCLUSIVE EVO X 30C** (combi model)
- **EXCLUSIVE EVO X 35C** (combi model)
- **EXCLUSIVE EVO X 25R** (heating only)
- **EXCLUSIVE EVO X 35R** (heating only)

Thanks to the new ACC adaptive system, there is no need for dedicated codes in the case of LPG, because EXCLUSIVE EVO X can automatically adapt to the type of fuel. All models are also certified for use with propane air.



EXCLUSIVE EVO X

MORE PERFORMING AND SMART, MORE EXCLUSIVE.

EXCLUSIVE EVO X IS THE LATEST EVOLUTION OF EXCLUSIVE, THE FAMILY OF WALL-HUNG BOILERS THAT FOR DECADES HAS CONNOTED THE TOP OF THE RANGE OF BERETTA'S OFFERINGS IN TERMS OF PERFORMANCE AND EFFICIENCY.

More exclusive than ever, **the new Beretta “flagship” stands out for its wide 1:13 range modulation, the new stainless steel condensing exchanger with adaptive control, excellent comfort in heating and DHW and very quiet operation. Full touch is the new advanced interface with horizontal layout**, which gives the design of EXCLUSIVE EVO X a character of modern elegance, in line with current aesthetic standards. The combination of **advanced electronics and ease of use of the new boiler is appreciable**, offering among other things a guided tour of use, both for the user and installer profile.

Increasingly focused on efficiency and energy savings, Beretta offers the market with EXCLUSIVE EVO X an **IoT Ready product that forms a class A+ ⁽¹⁾ system in combination with Hi, Comfort T100 or Hi, Comfort T300 controls, available as accessories**. With the T300, it is also possible to manage an entire hybrid system remotely, easily and intuitively, through a proprietary App.

Finally, like all Beretta's latest generation boilers, EXCLUSIVE EVO X is future-oriented: in fact, it is **ready for operation with blends of natural gas and hydrogen up to 20 percent**, thus helping to reduce the environmental impact and emissions of condensing boilers in the coming years.



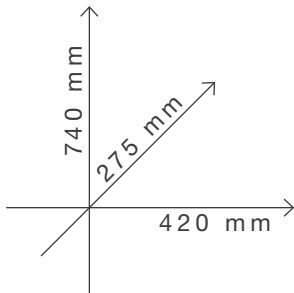
-  **WIDE MODULATION 1:13**
-  **HIGH EFFICIENCY**
-  **ADVANCED FULL TOUCH INTERFACE**
-  **EXCELLENT DHW COMFORT**
-  **VERY QUIET OPERATION**
-  **STYLISH AND COMPACT DESIGN**
-  **IOT READY**

⁽¹⁾ The energy efficiency class range of this product category in system is between G and A+++ in heating.

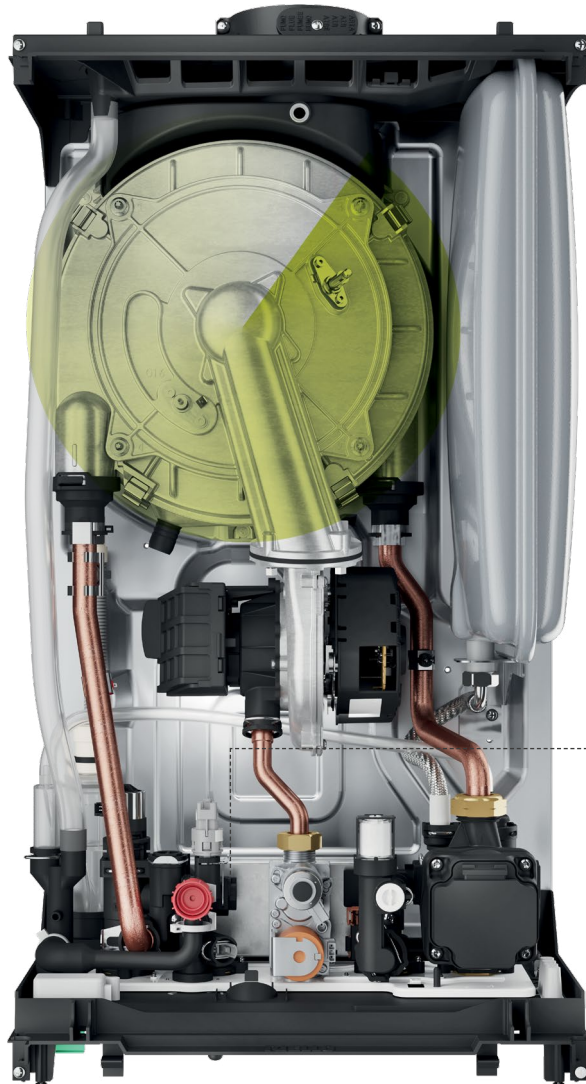
TECHNOLOGY AND EFFICIENCY FOR EXCLUSIVE COMFORT

➤ NEW STAINLESS STEEL HEAT EXCHANGER WITH COMPLETELY RENEWED ACC ADAPTIVE COMBUSTION CONTROL

✓ SAME DIMENSIONS OVER THE ENTIRE RANGE. EVEN THE 35KW MODEL HAS A DEPTH OF ONLY 275 MM!



➤ "HIGH PERFORMANCE" DOMESTIC HOT WATER PLATE HEAT EXCHANGER



- NEW FLUE FLANGE WITH FAST AND SAFE CLICK-FIT CONNECTIONS
- REDUCED EMISSIONS OF NO_x: CLASS 6 (EN 15502)
- WIDE 1:13 MODULATION OVER THE ENTIRE RANGE, FOR HIGH ENERGY SAVINGS
- SEASONAL EFFICIENCY 94%
- EXCELLENT DHW PERFORMANCE THANKS TO THE INCREASED PLATE HEAT EXCHANGER.
- SIDE EXPANSION VESSEL 9-LITER

- AUTOMATIC FILLING AS STANDARD
- NEW SIPHON AND 3 BAR SAFETY VALVE COLLECTION
- NEW DIGITAL MODULATING CIRCULATOR WITH HIGH HEAD (7 M), LOW CONSUMPTION
- HYDRAULIC GROUP WITH SEQUENCE OF DIN-TYPE CONNECTIONS, FOR SIMPLIFIED REPLACEMENT
- TOP COVER AND LOWER SHELF MADE WITH NEW CO-MOULDED MATERIALS TO FAVOUR DURABILITY AND RESISTANCE



**WIDE
MODULATION
1:13**

High efficiency and reduced consumption, thanks to the wide modulation that allows the boiler to adjust its output in relation to climatic conditions and user needs, reducing the frequency of switching on and off.

EXCLUSIV EVO X is equipped with the new ACC (Active Combustion Control) control system, which can automatically adapt to the fuel (natural gas, LPG, etc.) without the use of specific codes or accessory conversion kits. The self-adjustment of combustion also eliminates the need for initial calibration and can adapt the boiler to operate with different pipe lengths and at different altitudes (within allowable design limits).



**HOT WATER
AT STABLE
TEMPERATURE**



**MORE
SIMULTANEOUS
DRAWDOWNS**

The "high-performance" plate heat exchanger of EXCLUSIV EVO X provides excellent DHW comfort in addition to rapid set point temperature attainment and temperature stability during drawdown. The 35 kW model achieves an XXL load profile, with the possibility of multiple simultaneous drawdowns.

EXCLUSIV EVO X is characterized by very quiet operation. The sound power level is between 45 db(A) (model 30C) up to 48 db(A) (models 35 C and R), a significantly improved feature compared with the the previous EXCLUSIV E X range, making the new boilers ideal for installation inside the home.



**VERY QUIET
OPERATION**



**EASY TO
HANDLE**



**"ZERO-TIME"
INSTALLATION**



**FRONT ACCESS
TO COMPONENTS**

Reduced size and weight make the product easier to handle. Installation time is shortened thanks to the adaptive combustion system that does not require gas calibration and setting operations. Front accessibility to components also facilitates maintenance work, speeding up maintenance time.

Through the new Hi Comfort T300 advanced control, available as an accessory, EXCLUSIV EVO X is able to integrate into Beretta's hybrid systems (see the Product Catalog). Users can conveniently adjust and manage their comfort from the proprietary "Hi, Comfort" App even from outside the home.

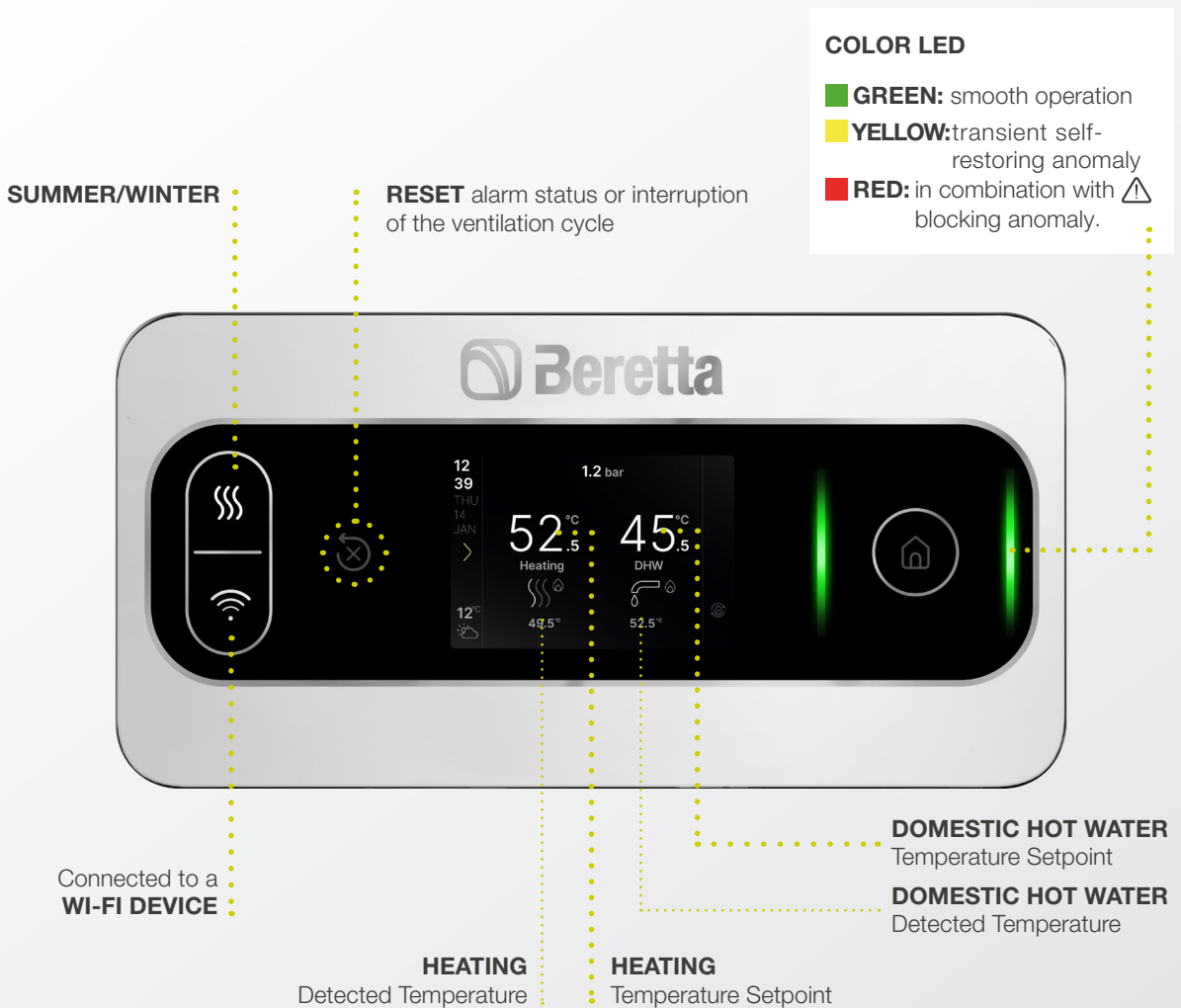


HYBRID READY

INNOVATIVE DESIGN, ADVANCED INTERFACE

Beretta EXCLUSIVE EVO X features an elegant and functional design, distinguished by **an advanced full touch color interface**. The design innovation of EXCLUSIVE EVO X, in addition to aesthetics, lies in offering the user, through the new interface, a

modern and intuitive experience of using the product features, not at all complex. In this regard, to support the user, EXCLUSIVE EVO X also offers **a guided tour, with an introduction to how to use the various functions**.



The new HMI offers a graphical display of the settings, with clear and simple readability, and **communicates with the user both through**

icons and multilingual texts. Each successful adjustment or setting operation generates an acoustic signal, the characteristic "buzzer".

A GUIDED TOUR TO SIMPLIFY

WITH EXCLUSIVE EVO X, BOILER ADJUSTMENT AND SETTING IS VERY SIMPLE, EVEN FOR THE LESS EXPERIENCED USER, THANKS ALSO TO A GUIDED TOUR THAT THE NEW BOILER OFFERS, WHICH CAN BE ACTIVATED AT ANY TIME FROM THE INTERFACE OR MENU.

THREE DEDICATED MENUS

EXCLUSIVE EVO X offers three dedicated menus to set the functions of interest according to one's profile: user, technician and service (the latter two are password-protected). Below, as an example of the ease of use, is the setting of domestic hot water temperature from the user menu.

THANKS TO THE TOUCHSCREEN, JUST SCROLL THROUGH THE MENU AND SELECT THE DESIRED ITEM WITH A SIMPLE TAP ON THE DISPLAY

ACTIVATE THE ARROWS TO SET THE DESIRED HOT WATER TEMPERATURE AND PRESS OK



Hi, Comfort

EXCLUSIVE EVO X, EVEN SMARTER WITH HI, COMFORT T300



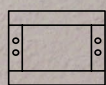
EXCLUSIVE EVO X is compatible with the new Hi, Comfort T300 room control, which integrates advanced functions, up to the management, even remotely, of a hybrid system.

The new generation of Beretta condensing boilers evolves towards increasingly integrated comfort solutions, to offer an effective contribution to the energy transition in terms of responsible use of energy.

EXCLUSIVE EVO X, in combination with Hi, Comfort T300 or T100, available as options, reaches class A+⁽¹⁾.



+



=

CLASS A+⁽¹⁾

EXCLUSIVE EVO X

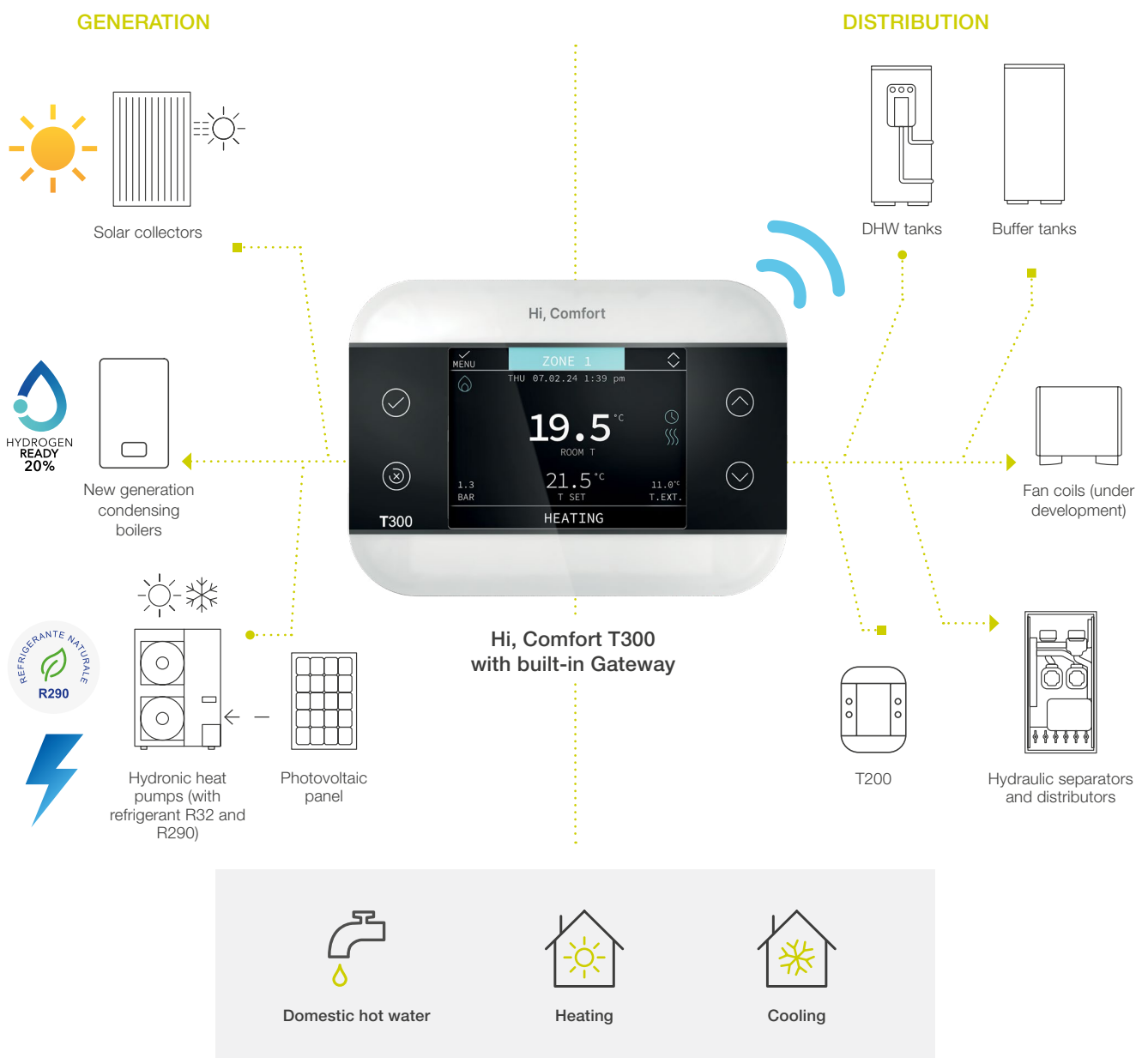
T300 or T100

⁽¹⁾ The energy efficiency class range of this product category in system is between G and A+++ in heating.



HI, COMFORT T300. ALSO FOR HYBRID SYSTEMS

EXCLUSIVE EVO X is compatible with Hi, Comfort T300, the **new advanced room control, with integrated gateway, which can manage up to 3 zones via expansion PCB and, in the case of hybrid installation, operates as a true System Manager**, for optimized consumption. All this is also via the **Hi, Comfort App**. Hi, Comfort T300 is compatible with the latest generation Beretta boilers and heat pumps for optimized home comfort management even in hybrid installations. The screen graphics of Hi, Comfort T300 are completely new, easy to read and do not tire the eyes. The icons are self-explanatory while the menu tree respects Beretta's traditional configuration logic.



NB Hi, Comfort T300 is compatible with specific products in Beretta's offering for hybrid systems. Refer to the Product Catalog.

TAILORED COMFORT

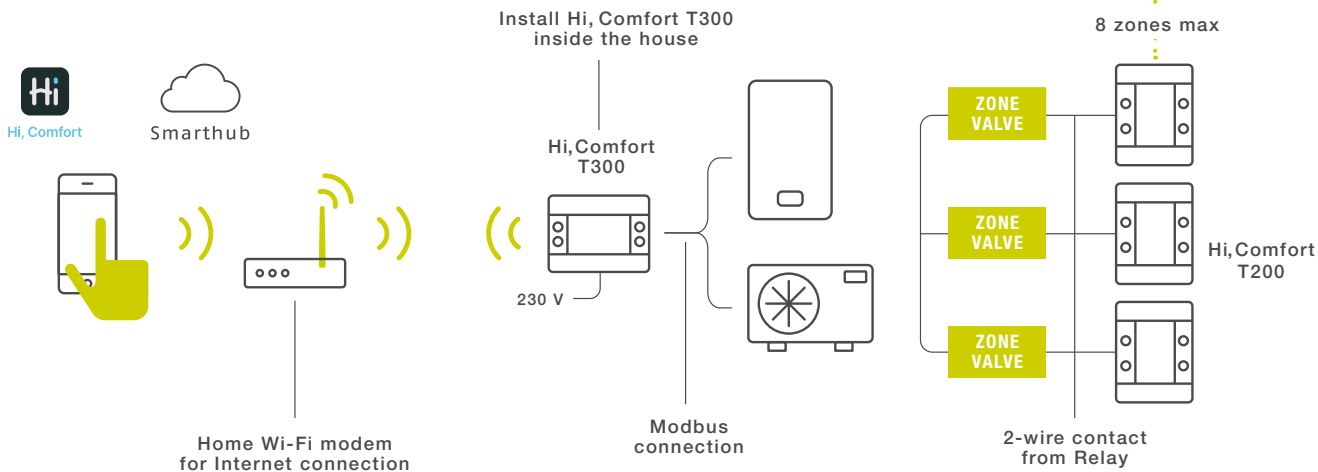
EXCLUSIVE EVO X is also compatible with the new Hi, Comfort platform solutions, available as accessories, which enable simple and intuitive home comfort management via App.

The Hi, Comfort T200 thermostat, when combined in RF with the Hi, Comfort T300 advanced room control, enables optimal comfort control within every room of the home. Equipped with innovative design and touch button technology for menu navigation, it offers a dual installation solution: wall-mounted, or, via a dedicated support, placed on any piece of furniture in the room. It is also compatible with Hi, Comfort App.



T200

SCHEMA TIPICO DI CONFIGURAZIONE DI SISTEMA CON T300



Hi, Comfort

FOR MORE DETAILS ON Hi, Comfort SOLUTIONS REFER TO THE SITE www.hi-comfort.com

BERETTA IS LOOKING TOWARDS THE FUTURE

EXCLUSIVE EVO X is born now, thinking of tomorrow. The new condensing range is, in fact, designed to operate with blends of natural gas and hydrogen - up to a maximum of 20% - a contribution towards the decarbonisation process started by the European Union.



HYDROGEN
READY
20%

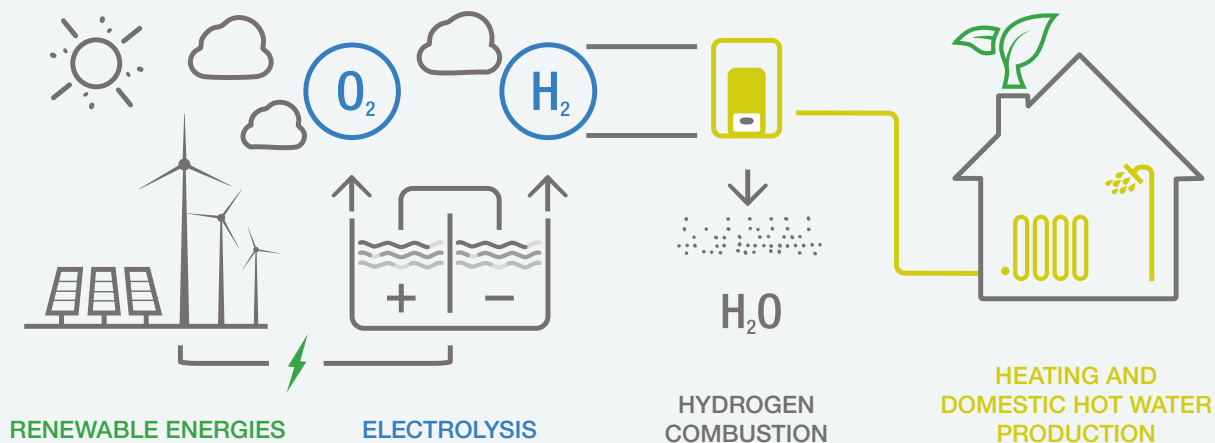
HYDROGEN USE CYCLE

Hydrogen is a safe and clean gas that, blended with natural gas up to a maximum ratio of 20 to 80 percent, makes it possible to generate heat and domestic hot water, with lower CO₂ emissions than other fuels*.

* Data from E. A. Polman (2003) "Reduction of CO₂ emissions by adding hydrogen to natural gas", IEA Greenhouse Gas R&D program, report number PH4/24.

GAS	HIGH CALORIFIC POWER	RELATIVE CO ₂ EMISSIONS
H ₂ - content [vol%]	Relative Wobbe [%]	[%]
0	100	100
20	94,7	93,7
100	85,0	13,3

Variation of Wobbe index and CO₂ reduction as a function of hydrogen content. The hydrogen is presumed to be made by large-scale steam reforming and that CO₂ is captured with a recovery rate of 86,7% of CO₂.



NEW PACKAGING, SUSTAINABLE AND RECYCLABLE



REDUCED CONSUMPTION



PACKAGING WITHOUT PLASTIC



HYDROGEN-READY 20%



COMPOSTABLE BAG



ENERGY SAVING



PRODUCT RECYCLABILITY*

The packaging of EXCLUSIVE EVO X is "plastic free," as the plastic of the elements commonly used for packaging has been completely removed and replaced with biodegradable materials.

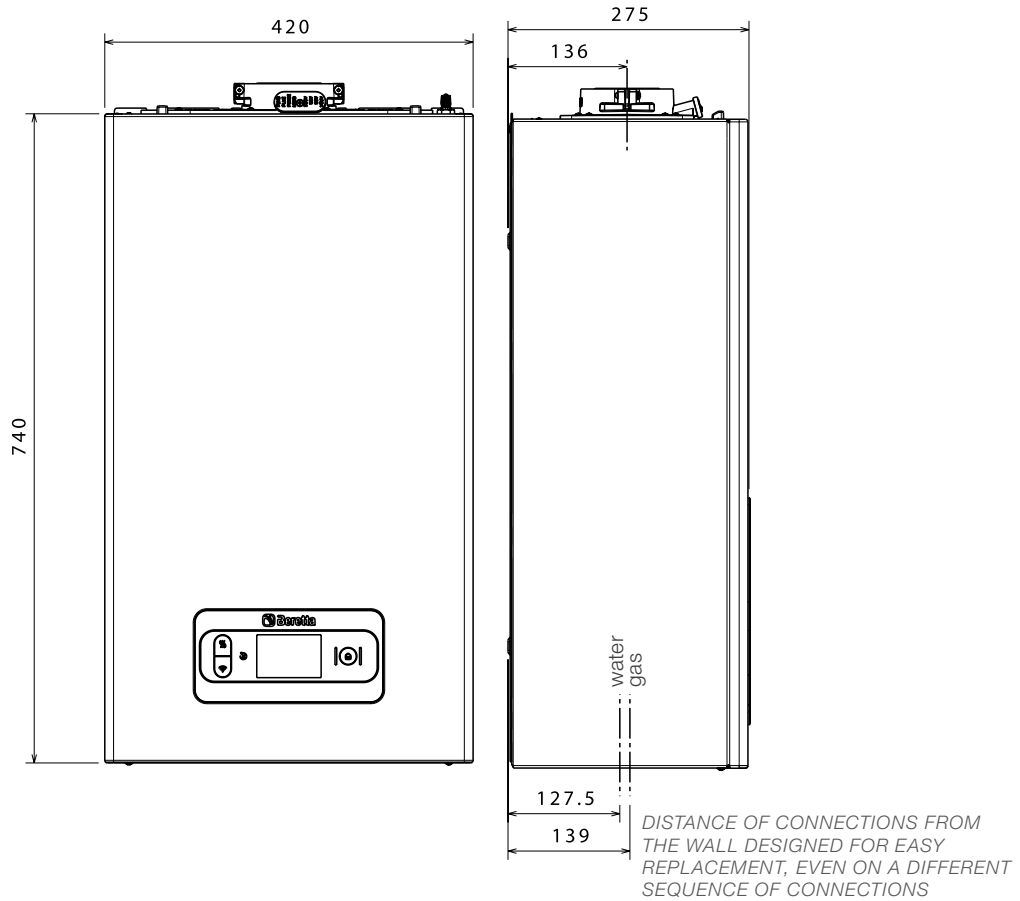
The packaging of EXCLUSIVE EVO X is also a communication vehicle, aimed at informing and raising awareness on the important issue of respect of the environment. On both sides of the cardboard box, a sequence of icons, symbolically flanked by a stylized leaf, illustrate the features of EXCLUSIVE EVO X and its packaging that contribute to reducing the product's carbon footprint.

PRODUCT RECYCLABILITY

Special attention is also paid to the recycling of the product at the end of its life, through the declaration of the product's recyclability index, which is 78 %* for EXCLUSIVE EVO X, an indicator that expresses the degree of recovery of materials, the so-called Secondary Raw Materials (MPS), useful to be reused in the production of new goods, thus contributing to the reduction of environmental impact.

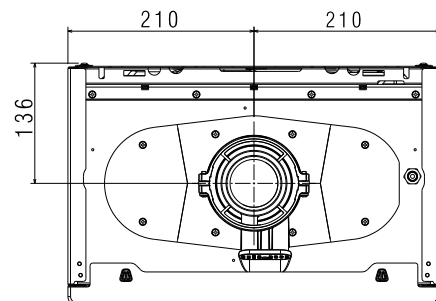
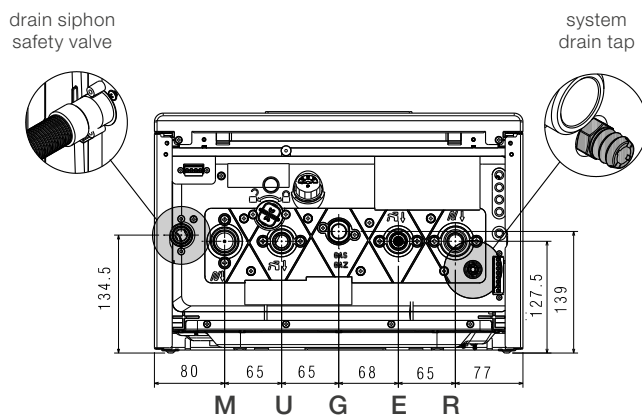
* The product's recyclability index was derived from internal estimates based on a study conducted in 2022 on the Residence 25 Kis condensing boiler, Model 20139525 (DOMESTIC AEE belonging to Group R4 of the RAEE regulations according to Legislative Decree 49/2014) by Ecoped, the Italian Consortium for the Management of Waste Electrical and Electronic Equipment (WEEE), Batteries and Accumulators (Ri.P.A.) and Sport and Leisure Equipment.

TECHNICAL DRAWINGS



VIEW FROM BELOW

VIEW FROM ABOVE

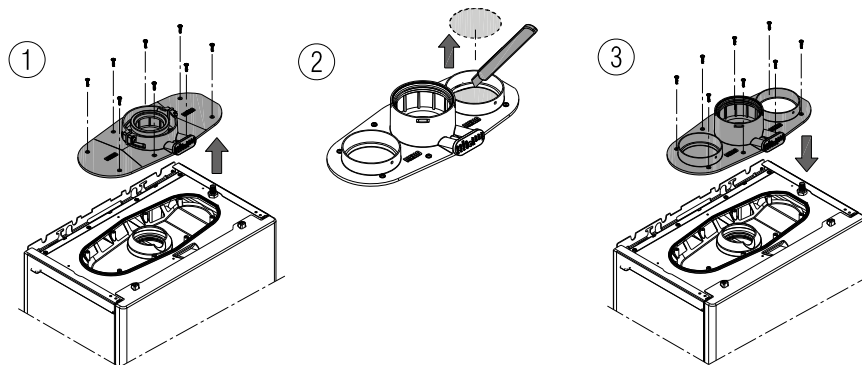


DIN HYDRAULIC CONNECTIONS

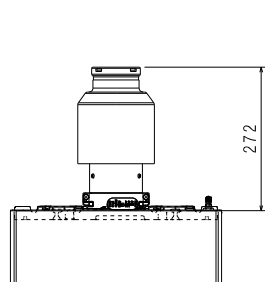
- M** FLOW
- U** DHW OUTLET
- G** GAS
- E** DCW INLET
- R** RETURN

TECHNICAL DRAWINGS

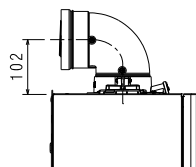
DISASSEMBLY OF THE FLUE FLANGE



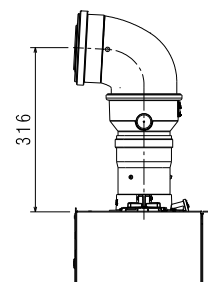
FLUE OPTIONS



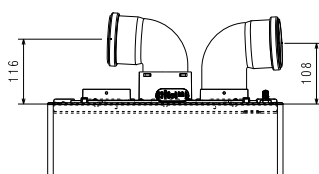
B23P-B53P



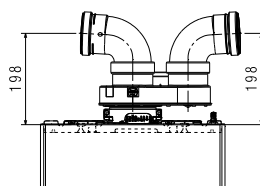
Ø60-100 mm
CONCENTRIC FLUE



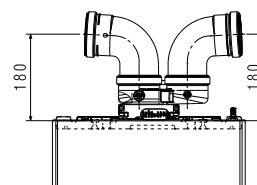
Ø80-125 mm
CONCENTRIC FLUE



Ø80-80 mm
TWIN FLUE



Ø80-80 mm
TWIN FLUE with ADAPTER



Ø80-80 mm
TWIN FLUE with COMPACT ADAPTER

TECHNICAL DATA



ENERGY LABELLING SPECIFICATIONS
(according to ErP regulations)

			EXCLUSIVE EVO X	EXCLUSIVE EVO X	EXCLUSIVE EVO X	EXCLUSIVE EVO X	EXCLUSIVE EVO X
BOILER MODEL			25C	30C	35C	25R (*)	35R (*)
Seasonal space heating energy efficiency class		D → A+++ ⁽¹⁾	A	A	A	A	A
Water heating energy efficiency class		F → A+ ⁽¹⁾	A	A	A	-	-
Rated heat output according ERP	pnominal	kW	20	24	31	20	31
Seasonal space heating energy efficiency	ηs	%	94	94	94	94	94
USEFUL HEAT OUTPUT							
At rated heat output, high-temperature regime (**)	P4	kW	19,5	24,4	31,2	19,5	31,2
At 30% of rated heat output and low-temperature regime (***)	P1	kW	6,6	8,2	10,5	6,6	10,5
USEFUL EFFICIENCY							
At rated heat output and high-temperature regime (**)	η4	%	87,9	87,9	87,8	87,9	87,8
At 30% of rated heat output and low-temperature regime (***)	η1	%	98,8	98,7	98,8	98,8	98,8
AUXILIARY ELECTRICAL CONSUMPTION							
At full load	elmax	W	30,0	31,1	54,9	30,0	54,9
At partial load	elmin	W	12,2	13,3	13,6	12,2	13,6
In stand-by mode	PSB	W	3,0	3,0	3,0	3,0	3,0
OTHER PARAMETERS							
Heat losses at stand-by mode	Pstby	W	30,0	35,0	35,0	30,0	35,0
Annual energy consumption	QHE	GJ	60,0	75,0	96,0	60,0	96,0
Sound power level, indoors	LWA	dB	47,0	45,0	48,0	47,0	48,0
NOx emissions	NOx	mg/kWh	22,0	20,0	31,0	22,0	31,0
FOR COMBI BOILERS							
Declared load profile			XL	XL	XXL	-	-
DHW energy efficiency	wh	%	85	86	87	-	-
Daily electrical energy consumption	Qelec	kWh	0,142	0,089	0,131	-	-
Daily fuel consumption	Qfuel	kWh	22,880	22,734	27,951	-	-
Annual electrical energy consumption	AEC	kWh	31	19	28	-	-
Annual fuel consumption	AFC	GJ	17	17	22	-	-
OTHER TECHNICAL SPECIFICATIONS							
Heating thermal input (max-min)		kW	20,0-1,9	25,0-2,7	32,0-2,7	20,0-1,9	32,0-2,7
Nominal DHW heat input (max-min)		kW	25,0-1,9	30,0-2,7	34,9-2,7	25,0-1,9	34,9-2,7
Power supply		V-Hz	230-50	230-50	230-50	230-50	230-50
Electrical protection level		IP	X5D	X5D	X5D	X5D	X5D
NOx class			6	6	6	6	6
HEATING							
Max pressure-temperature		bar-°C	3-90	3-90	3-90	3-90	3-90
Pump: max available head (flow rate 1000 l/h)		mbar	450	450	450	450	450
Diaphragm expansion vessel capacity		l	9	9	9	9	9
DOMESTIC HOT WATER							
Maximum pressure		bar	8	8	8	-	-
DHW production at ΔT= 25°C / 30°C / 35°C		l/min	14,3/11,9/10,2	17,2/14,3/12,3	20,0/16,7/14,3	-	-
Minimum DHW flow rate		l/min	2	2	2	-	-
HYDRAULIC and GAS CONNECTIONS							
Nominal gas pressure (G20-G31)		mbar	20-37	20-37	20-37	20-37	20-37
Heating flow-return / Gas inlet		Ø	3/4"	3/4"	3/4"	3/4"	3/4"
DHW inlet - outlet / DHW tank flow - return		Ø	3/4"	3/4"	3/4"	3/4"	3/4"
DIMENSIONS, WEIGHT							
Boiler dimensions (HxDxW)		mm	740x275x420	740x275x420	740x275x420	740x275x420	740x275x420
Net weight		kg	29	30	30	28	29
FLUE PIPES AND AIR INTAKE							
Max length for concentric flue (Ø60-100 mm)		m	10	8	8	10	8
Max length for twin flue (Ø80+80 mm)		m	69+69 (A)	36+36 (B)	36+36 (B)	69+69 (A)	36+36 (B)

⁽¹⁾ The range of energy efficiency class of this products category is between D and A+++ in CH, and between F and A+ in DHW.

(*) The 'Only heating' models are supplied with a three-ways valve and are not equipped with filling tap.

(**) High-temperature regime means: 60°C Return and 80°C Flow of the boiler.

(***) Low temperature regime means for condensing boilers 30°C, for low-temperature boilers 37°C and for other heaters 50°C return temperature.

A) up to 75+75 m with swelling adapter available as option.

B) up to 39+39 m with swelling adapter available as option.



Riello S.p.A.
Via Ing. Pilade Riello, 7
37045 Legnago (VR) - Italy
tel. +39 0442 630111

www.berettaheating.com



©2025 Carrier. All Rights Reserved.
All trademarks and service marks referred herein
are property of their respective owners.

Beretta reserves the right to change the information and specifications contained herein at any time and without notice. The contents and information provided herein are for informational purposes only and are not intended to provide legal or professional advice. This document, therefore, cannot be considered binding on third parties.

27023935 - EN - rev.02 - 09/2025