

SL

KOMPLET GRELNEGA ELEMENTA ZA INTEGRACIJO, enofazni – 230 V (AC) – 2–6 kW/trifazni – 400 V (AC) – 6 kW INT.

To navodilo je del knjižice z navodili naprave, na kateri je pripomoček nameščen. To knjižico z navodili glejte tudi za SPLOŠNA OPOZORILA ter OSNOVNA VARNOSTNA PRAVILA.

OPIS PRIPOMOČKA

Električni grelec, ki je vključen v ta komplet, omogoča, da se med fazo segrevanja po potrebi zagotovi integracija toplotne črpalke, kadar ima ta nizek izkoristek ali ne zadošča zahtevanim toplotnim potrebam. Grelec lahko priklopite na naslednje načine:

Enofazni priklop – 230 V (AC), nastavljiva moč 2, 4 ali 6 kW (za podrobnosti glejte razdelek o električnih povezavah); konfiguracija ob dobavi ustreza 2 kW.

- Trifazni – 400 V (AC) – 6 kW.

EN

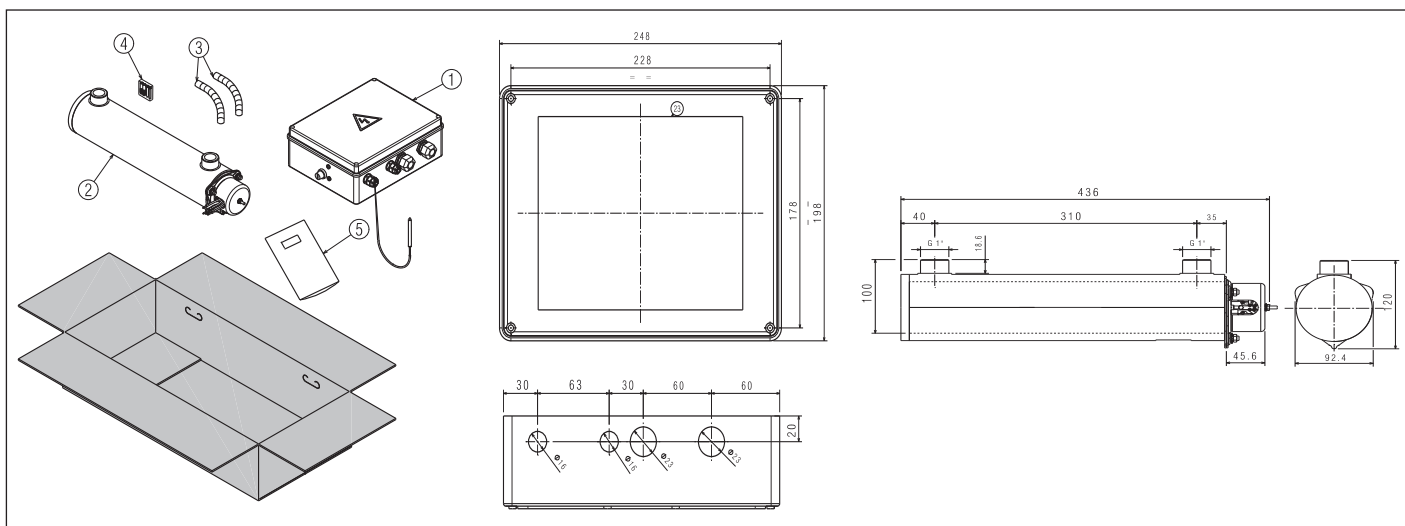
INTEGRATION RESISTANCE KIT 1PH - 230 Vac - 2÷6 kW/3PH - 400 Vac - 6 kW INT.

This instruction is an integral part of the manual of the appliance on which the accessory is installed. Please refer to this booklet for GENERAL WARNINGS and for the FUNDAMENTAL SAFETY RULES.

DESCRIPTION OF THE ACCESSORY

The electric heater included in this kit allows, if necessary during the heating phase, the integration of the heat pump in conditions in which it has a low efficiency or is not sufficient to satisfy the required heat load. The heater can be connected in the following ways:

- Single phase - 230 Vac; configurable in 2/4/6 kW power (see electrical connections paragraph for details); the supply configuration is 2 kW.
- Three-phase - 400 Vac - 6 kW.



Komplet sestavljajo:

- 1 Priključna omarica
- 2 Električni grelec 3 x 2 kW – 230 V (AC)
- 3 Spiralna cev
- 4 Pakiranje vijakov in vložkov
- 5 Navodilo za uporabo

Kol.

- 1
- 1
- 2
- 1
- 1

The kit consists of:

- 1 Wired box assembly
- 2 Electric heater 3x2 kW - 230 Vac
- 3 Spiral sheath
- 4 Screw+plugs packages
- 5 Instruction

Q.ty

- 1
- 1
- 2
- 1
- 1

⚠ Ta komplet mora namestiti služba za tehnično pomoč ali strokovno usposobljeno osebo.

- Pred namestitvijo odklopite električno napajanje grelnega skopa s preklpom glavnega stikala sistema v položaj za izklop (OFF).

⚠ This kit must be installed by a Technical Assistance Service or by professionally qualified personnel.

- Before starting the installation, remove the electrical power supply to the heating unit by positioning the system's main switch on "off" (OFF).

Vodovodni krogotok

⚠ Če se uporabljajo termostatski ventili na vseh priključkih ali conski ventili, poskrbite za obvod, s katerim bo zagotovljen minimalni delovni pretok.

⚠ Sistem mora biti opremljen z ventili za odzračevanje. Pred vklopom ga je treba ustrezno odzračiti.

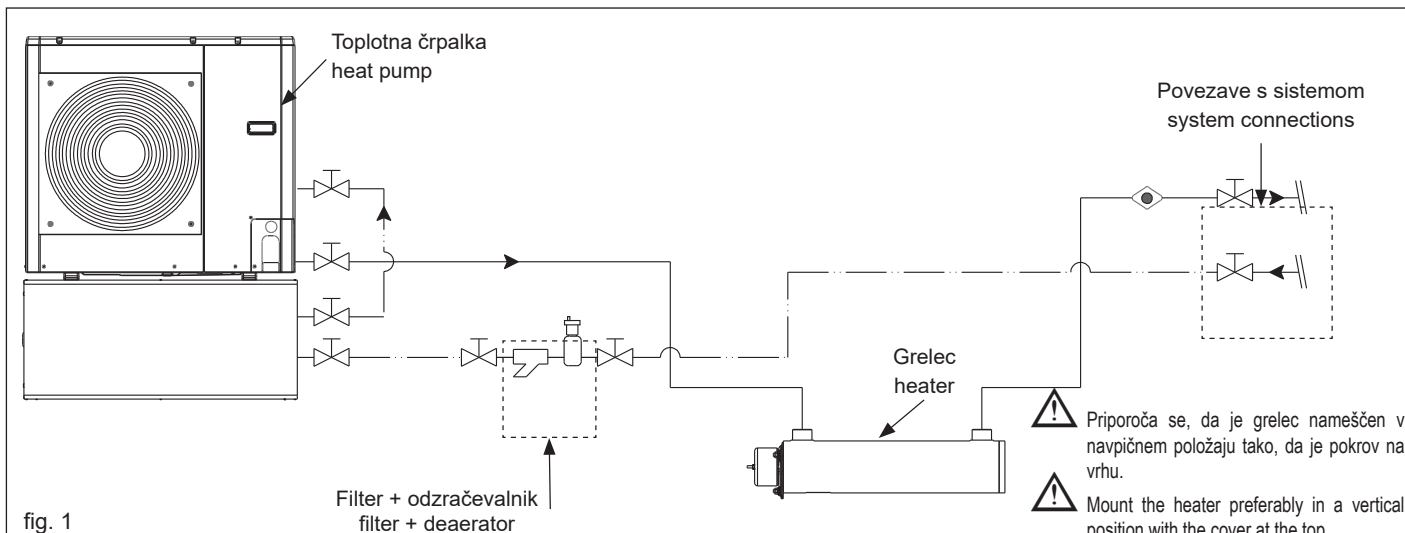
⚠ V vodovodnem sistemu mora biti nameščena naprava za zaščito pred nadtlakom.

Hydraulic circuit

⚠ In the presence of thermostatic valves on all terminals or zone valves, provide a by-pass that ensures the minimum operating flow rate.

⚠ The system must be equipped with degassing valves and must be adequately vented before switching on.

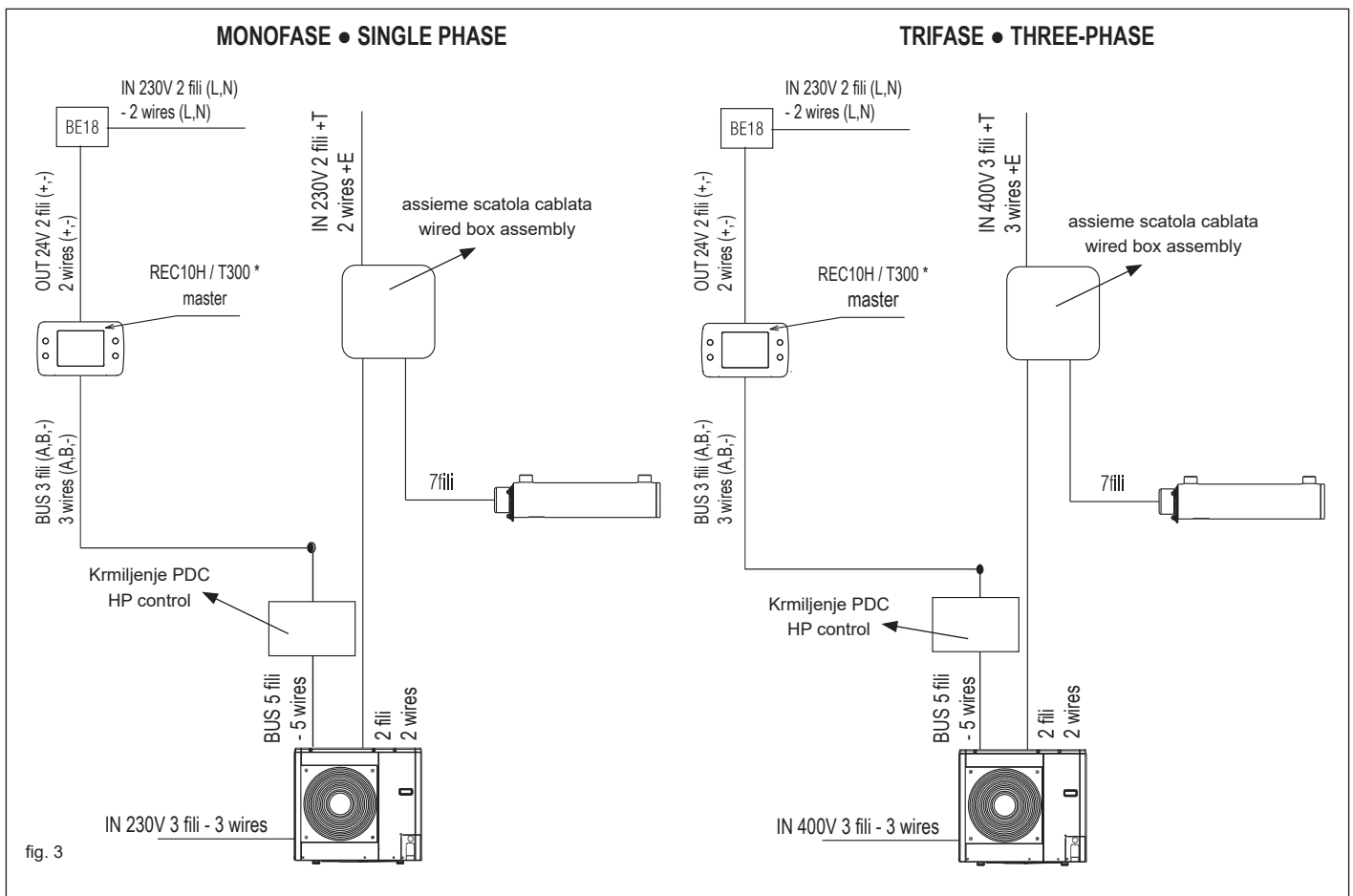
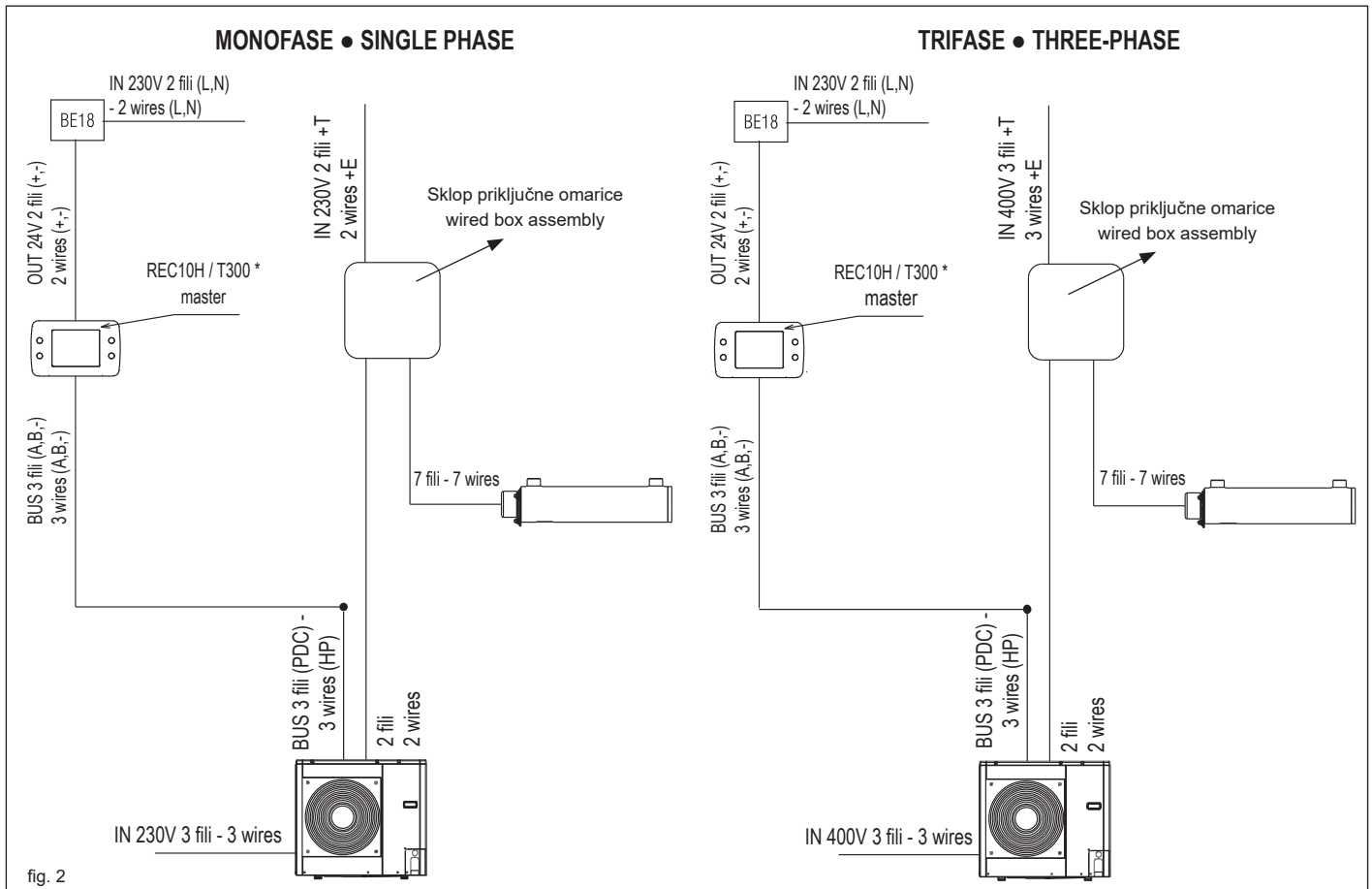
⚠ There must be an overpressure protection device in the hydraulic circuit.



⚠ Priporoča se, da je grelec nameščen v navpičnem položaju tako, da je pokrov na vrhu.

⚠ Mount the heater preferably in a vertical position with the cover at the top.

fig. 1



IT	EN	SL
monofase	mono-phase	enofazni
trifase	tri-phase	trifazni
fili	wires	žice
morsetto	terminal	terminal
assieme scatola cablata	wired box assembly	sklop žične škatle
controllo PDC	HP control	HP nadzor

*** Neobvezno**

- ⚠ Za izvedbo električnih povezav na toplotno črpalko glejte priročnik za uporabo enote, na kateri bo komplet nameščen.
- ⚠ For the electrical connection to the Heat Pump, refer to the specific instruction manual of the unit on which the kit is installed.

Pritrditev termostata

Termostat je že ožičen v električni omarici (A). Pritrditev se izvede v skladu s spodnjimi navodili:

- Odstranite pokrov (B) tako, da odvijete matico, ki je na pokrovu.
- Kapilaro (C) vstavite v tulko znotraj grelca tako, da doseže skrajno točko (D).
- Znova zaprite pokrov (B) in zategnite matico, pri čimer bodite pozorni, da ne upognete kapilare termostata.

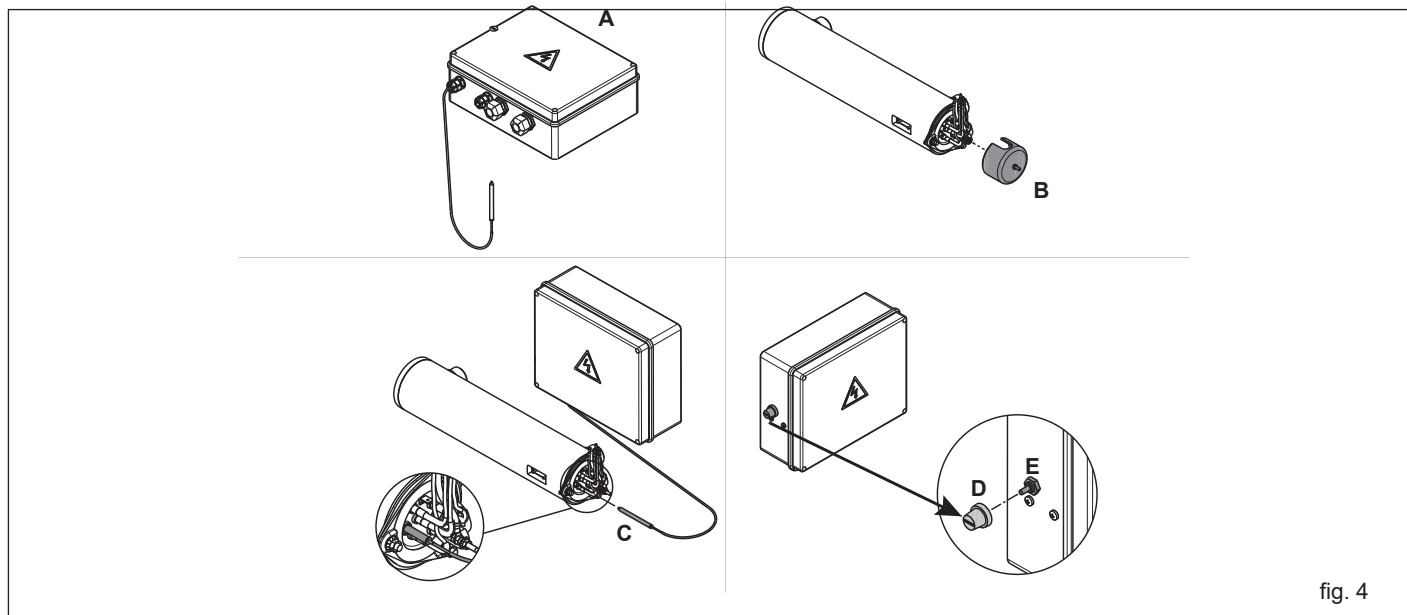
! Če se termostat sproži, ga ponastavite ročno tako, da odvijete pokrovček (D) in pritisnete gumb (E). Po ponastavitvi previdno namestite pokrovček (D).

Fixing the thermostat

The thermostat is already wired in the electrical box (A), to fix it proceed as follows:

- remove the cover (B) by unscrewing the nut on the cover itself
- insert the bulb (C) into the well provided inside the heater until it reaches the end (D)
- close the cover (B) by screwing the appropriate nut back on and taking care not to bend the thermostat capillary.

! If the thermostat trips, it must be reset manually by unscrewing the cap (D) and pressing the button (E). After the reset carefully reposition the cap (D).

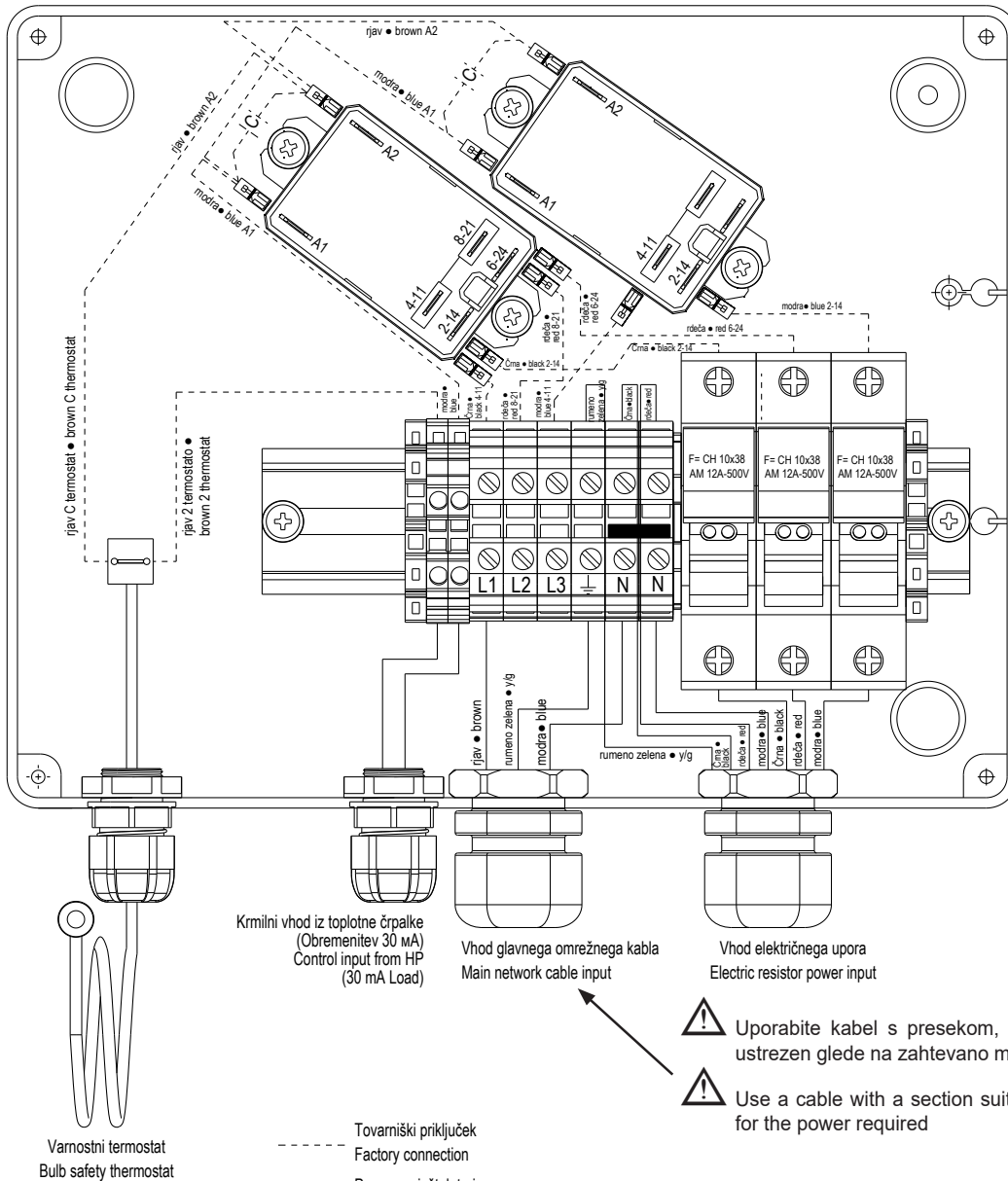


ELEKTRIČNI PRIKLJUČKI

Enofazni priklop (230 V (AC))

ELECTRICAL WIRING

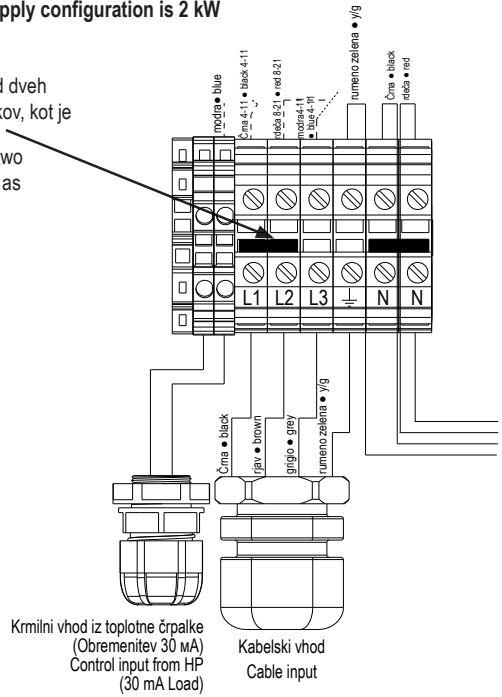
Single-phase connection (230 Vac)



- ⚠ Uporabite kabel s presekom, ki je ustrezen glede na zahtevano moč.
- ⚠ Use a cable with a section suitable for the power required

- ⚠ **Opomba: Konfiguracija ob dobavi ustreza 2 kW**
 - ⚠ **NB: the supply configuration is 2 kW**
- 4 kW**
- Tovarniški priključek
Factory connection
 - Povezava inštalaterja
Installer connection

Vstavite enega od dveh priloženih mostičkov, kot je prikazano. insert one of the two jumpers supplied as indicated



6 kW

Vstavite oba priložena mostička, kot je prikazano. insert the two jumpers supplied as indicated

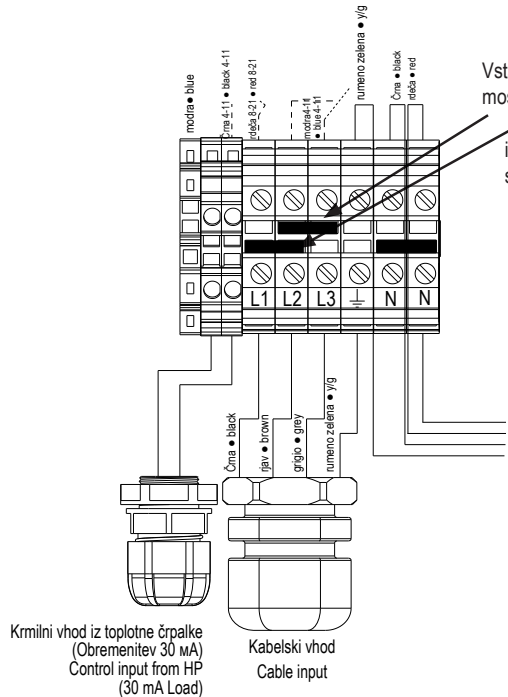


fig.5

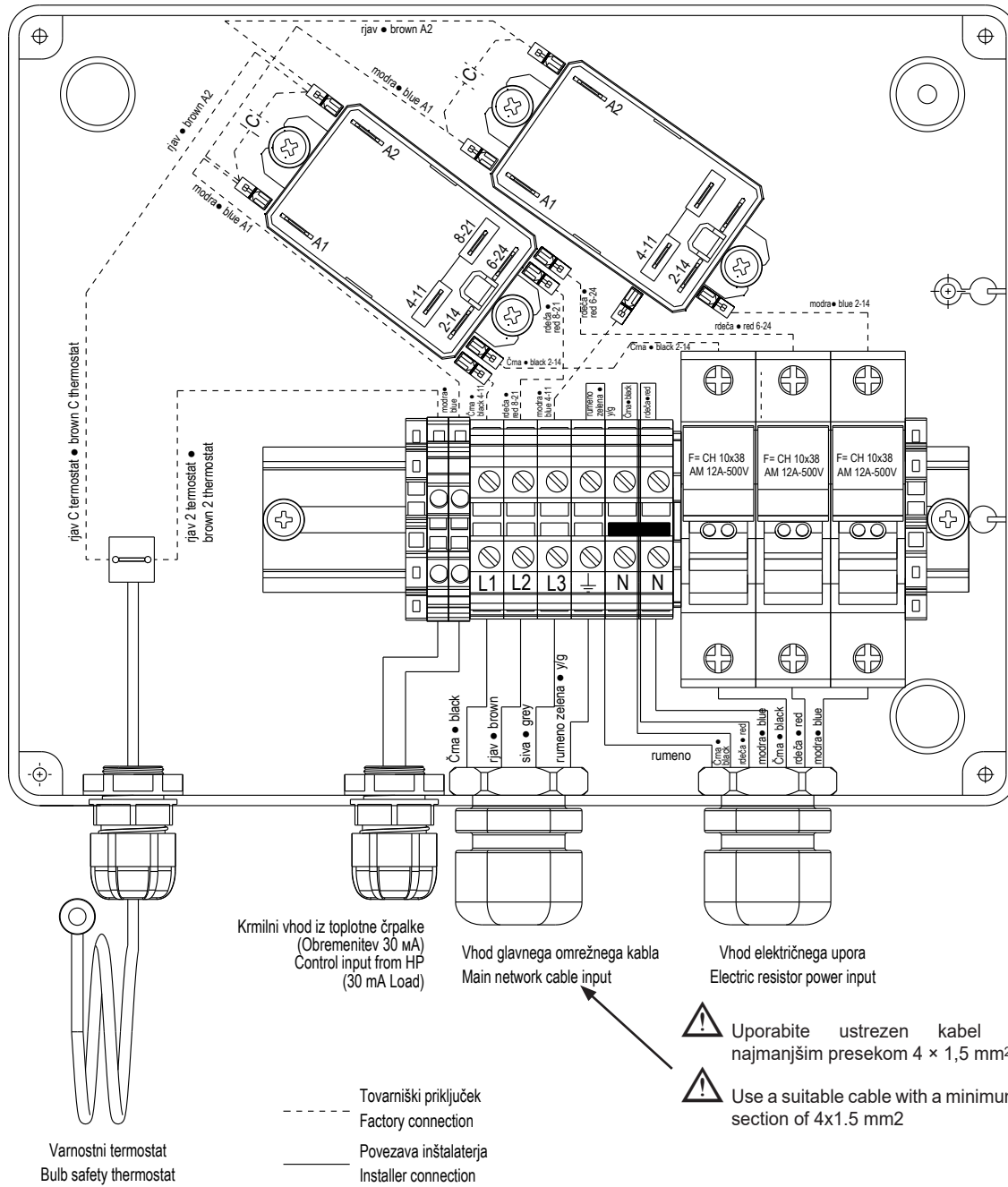


fig. 6

⚠ Vodnike električnega grelca zaščitite s spiralno cevjo, ki jo vključuje komplet.

⚠ Cover the electric heater wires with the spiral sheath present in the kit.



A series of horizontal lines for writing, consisting of 25 evenly spaced lines that span the width of the page.

