

MODBUS WIRING KIT

These instructions are an integral part of the installer manual on which the kit is installed.

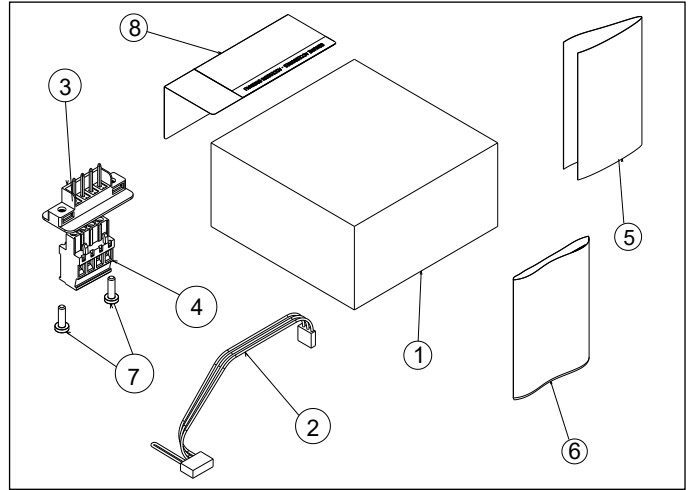
- △ See the manual for the GENERAL WARNINGS, GENERAL SAFETY DEVICES.
- △ Installation and service must be performed by a qualified and competent person.
- △ These instructions are supplemental to the appliance installation manual and should be read in conjunction with the installation manual.
- △ Before carrying out the following procedure, ensure that the appliance is fully isolated from both the electrical and gas supplies.

DESCRIPTION

The kit in question allows to have the connection of the Bus 485 signal in boilers that do not have it as standard

Composition:

	Q.ty
1 Box	1
2 Bus 485 signal connection wiring	1
3 4-pole connector (above shelf)	1
4 4-pole connector (under shelf)	1
5 Instruction sheet	1
6 Envelope	1
7 M3x10 screw	2
6 Packaging label	1



Installation

- △ Before attempting any operation, disconnect the appliance from the electrical supply.

- remove the aluminum adhesive label (A) positioned on the shelf slot (fig. 1)
- position the connector (3) present in the kit, fixing it with the screws (7) supplied (fig. 2)
- take (4) and engage it on the counter part previously positioned (fig. 3)
- open the control panel by pressing the hooks inwards and rotating it downwards
- press the dashboard cover hooks to open it (fig. 4)

